



PIPE BENDING MACHINE

SUPER 36" - 48"

Design Features

- Two-Stage Pump option available
- T1 Steel body construction for long life and extra strength
- Calibrated Indicator Rod for precise repeatable pipe bends
- Single operator control station for all functions
- PTFE sealing system in all cylinders
- 3/4" Hydraulic Mandrel connections
- Designed to bend all grades of API-5L pipe within its range
- Easily towed on the right of way by a suitable tractor
- Towing eye can be raised and lowered by actuating the Stiffback controls
- Hydraulic remote controls valve system
- Large extra capacity filter
- OSHA Gate on operator station



HYDRAULICS

	BORE (IN)	STROKE (IN)	ROD (IN)
InBoard Cylinder	10	5	4.5
OutBoard Cylinder	14	18	9
Pin Up Cylinder	6	23	4
Clamp Cylinder			
Pump Type	Fix Volume		
Pump Flow	110 gpm		
Valve Type	3 or 5 Section		
Filtration	3 Micron, Pressure Line		
Hydraulic System Max Operating Pressure	2500 psig		
Hydraulic Reservoir	290 gal		

Disclaimer:

Technical information provided for this equipment regarding performance, specifications, dimension and weights can vary depending on final configuration of the equipment. Please contact IPEC for actual specifications at time of shipment.

IPEC does not accept responsibility for errors regarding the technical information, nor the consequences of any errors, nor the consequences to changes in the specifications contained herein. IPEC reserves the right to modify the equipment performance and specifications without notice.

PIPE BENDING CAPACITY

	Dia (in)
Minimum	36
Maximum	48

SPECIFICATIONS

Length	32'-6"	9,906 mm
Width	12'-6"	3,810 mm
Height	11'-2"	3,404 mm
Weight (lbs/kg)	120,750 lbs	54,886 kg
Track Size	50 Ton	

* actual width may vary

ENGINES

Cat C7 Diesel	250	hp
Operating Speed	2200	rpm
Fuel Tank	80	gal

COMPRESSOR (optional)

Manufacturer	Quincy QR-390, Stand Alone
Drive Type	Deutz Engine
Pressure	210 psig
Flow	67.0 acfm @ 175 psig

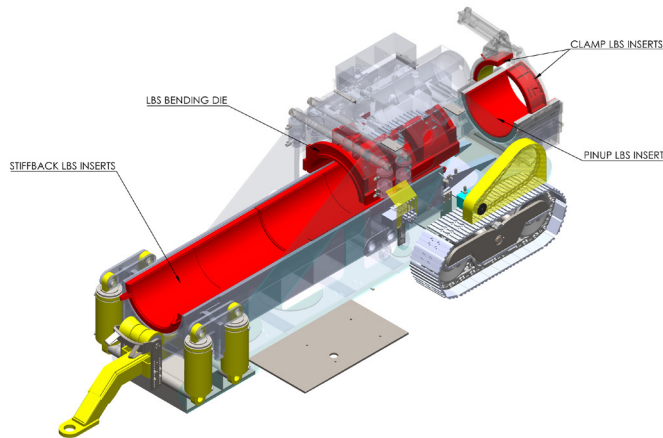
WINCH

Manufacturer	Ramsey
Drive Type	Hydraulic Motor
Pulling Force	20,000 lbf
Cable Diameter	.5625"
Free Wheeling Drum	

OPTIONS AVAILABLE

- Stand alone air compressor
- Hydraulic driven air compressors
- Cold weather operating kit (-40°) available

NOMINAL PIPE O.D.	MAXIMUM WALL THICKNESS BY GRADE						RECOMMENDED BEND		
	X52	X60	X65	X70	X80	X100	DEGREE PER ARC FOOT	RADIUS FEET	MAXIMUM 40 FOOT JOINT
48/1219.2	-	-	-	2.766	2.405	1.907	0.50	115	12.46
46/1168	-	-	-	3.032	2.635	2.087	0.50	115	12.46
44/1118	-	-	-	-	2.900	2.294	0.50	115	12.46
42/1067	-	-	-	-	3.207	2.535	0.50	115	12.46
40/1016	-	-	-	-	-	2.816	0.50	115	12.46
38/965	-	-	-	-	-	3.149	0.50	115	12.46
36/914	-	-	-	-	-	-	0.50	115	12.46



SPECIFICATIONS FOR SUPER 36" - 48" BENDING SETS

		LENGTH		WIDTH		HEIGHT		CUBE		WEIGHT	
		in	mm	in	mm	in	mm	ft	m	lb	kg
Super 36 - 48	Stiffback	98	2489	52.25	1327	24.625	626	250	7.1	13,830	6,286
	Pin Up	58	1473	52.25	1327	24.625	626				
	Die	83	2108	52	1321	30.5	775				
	Clamps	33.625	854	16.75	426	14.125	359				