



PIPE BENDING MACHINE

SUPER ELITE 22" - 36"

Design Features

- Two-Stage Pump option available
- T1 Steel Body Construction for long life and extra strength
- Calibrated Indicator Rod for precise repeatable pipe bends
- Single operator control station for all functions
- PTFE sealing system in all cylinders
- Designed to bend all grades of API-5L pipe within its range
- Easily towed on the right of way by a suitable tractor
- Towing eye can be raised and lowered by actuating the Stiffback controls
- Large extra capacity filter
- Valve sections sized for precise flow and metering
- Control valve sections sized for precise flow and metering
- Best in Class cycle time



HYDRAULICS

	BORE (IN)	STROKE (IN)	ROD (IN)
InBoard Cylinder	7	5	2.25
OutBoard Cylinder	11	19	9
Pin Up Cylinder	6	23	4
Clamp Cylinder			
Pump Type	Vane, Fix Volume		
Pump Flow	105 gpm		
Valve Type	Manual, 3 or 5 Section		
Filtration	3 Micron, Pressure Line		
Hydraulic System Max Operating Pressure	3000 psig		
Hydraulic Reservoir	125 gal	469 L	

Disclaimer:

Technical information provided for this equipment regarding performance, specifications, dimension and weights can vary depending on final configuration of the equipment. Please contact IPEC for actual specifications at time of shipment.

IPEC does not accept responsibility for errors regarding the technical information, nor the consequences of any errors, nor the consequences to changes in the specifications contained herein. IPEC reserves the right to modify the equipment performance and specifications without notice.

PIPE BENDING CAPACITY

	Dia (in)
Minimum	22
Maximum	36

SPECIFICATIONS

Length	25'-0"	7,620 mm
Width	8'-8"	2,642 mm
Height	9'-11"	3,023 mm
Weight (lbs/kg)	57,000 lbs	25,909 kg
Track Size	15 Ton	

ENGINES

Perkins Diesel	202	hp
Operating Speed	2200	rpm
Fuel Tank	25	gal

COMPRESSOR

Manufacturer	Quincy QR-390
Drive Type	Hydraulic Motor
Pressure	210 psig
Flow	67.0 acfm @ 175 psig

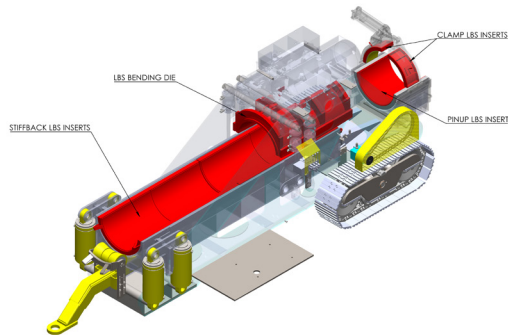
WINCH

Manufacturer	Ramsey
Drive Type	Hydraulic Motor
Pulling Force	20,000 lbf
Cable Diameter	.5625"
Free Wheeling Drum	

OPTIONS AVAILABLE

- Caterpillar C6.6 Diesel Engine
- Hydraulic driven air compressors
- Cold weather operating kit (-40°) available
- Telemetric performance monitoring

NOMINAL PIPE O.D.	MAXIMUM WALL THICKNESS BY GRADE						RECOMMENDED BEND		
	X52	X60	X65	X70	X80	X100	DEGREE PER ARC FOOT	RADIUS FEET	MAXIMUM 40 FOOT JOINT
36/914	2.363	2.033	1.869	1.73	1.506	1.195	0.50	115	13.95
34/864	-	2.299	2.113	1.955	1.700	1.348	0.55	104	15.43
32/813	-	2.623	2.41	2.228	1.936	1.533	0.58	98	16.37
30/762	-	-	-	2.563	2.226	1.760	0.60	95	16.89
28/711	-	-	-	-	2.586	2.042	0.65	88	18.23
26/660	-	-	-	-	-	2.399	0.70	82	19.56
24/610	-	-	-	-	-	-			
22/559	-	-	-	-	-	-			



*Dimensions shown for bending sets are shipping dimensions

SPECIFICATIONS FOR SUPER 22" - 36" BENDING SETS

		LENGTH		WIDTH		HEIGHT		CUBE		WEIGHT	
		in	mm	in	mm	in	mm	ft	m	lb	kg
Super 22 - 36	Stiffback	88	2235	36.25	921	17.625	448	160	4.6	6,300	2,864
	Pin Up	37.5	953	36.25	921	17.625	448				
	Die	70	1778	41	1041	28	711				
	Clamps	23.5	597	15	381	10	254				