



PIPE BENDING MACHINE

SUPER 16" - 30"

Design Features

- Two-Stage Pump option available
- T1 Steel body construction for long life and extra strength
- Calibrated Indicator Rod for precise repeatable pipe bends
- Single operator control station for all functions
- PTFE sealing system in all cylinders
- Designed to bend all grades of API-5L pipe within its range
- Easily towed on the right of way by a suitable tractor
- Towing eye can be raised and lowered by actuating the Stiffback controls
- Hydraulic remote controls valve system
- Operating warning light
- Safety steps provide access pipe from operator stand
- Control valve sections sized for precise flow and metering
- Loading isolation valves



HYDRAULICS

	BORE (IN)	STROKE (IN)	ROD (IN)
InBoard Cylinder	8	5	2.25
OutBoard Cylinder	11	18	8
Pin Up Cylinder	6	23	4
Clamp Cylinder			
Pump Type	Vane, Fix Volume		
Pump Flow	48 gpm		
Valve Type	3 or 5 Section		
Filtration	3 Micron, Pressure Line		
Hydraulic System Max Operating Pressure	3000 psig		
Hydraulic Reservoir	85 gal	318.8 L	

Disclaimer:

Technical information provided for this equipment regarding performance, specifications, dimension and weights can vary depending on final configuration of the equipment. Please contact IPEC for actual specifications at time of shipment.

IPEC does not accept responsibility for errors regarding the technical information, nor the consequences of any errors, nor the consequences to changes in the specifications contained herein. IPEC reserves the right to modify the equipment performance and specifications without notice.

PIPE BENDING CAPACITY

	Dia (in)
Minimum	16
Maximum	30

SPECIFICATIONS

Length	23'-8"	7,214 mm
Width	8'-6"	2,591 mm
Height	9'-0"	2,743 mm
Weight (lbs/kg)	29,500 lbs	13,409 kg
Track Size	15 Ton	

ENGINES

Perkins Diesel	109	hp
Operating Speed	2200	rpm
Fuel Tank	25	gal

COMPRESSOR

Manufacturer	Quincy QR-370
Drive Type	Hydraulic Motor
Pressure	210 psig
Flow	49.3 acfm @ 175 psig

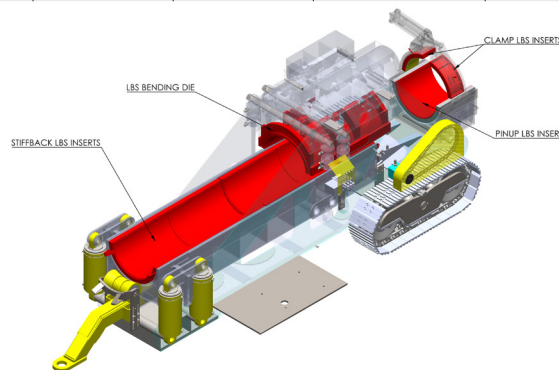
WINCH

Manufacturer	Ramsey
Drive Type	Hydraulic Motor
Pulling Force	20,000 lbf
Cable Diameter	.5625"
Free Wheeling Drum	

OPTIONS AVAILABLE

- Caterpillar C4.4 Diesel Engine
- Hydraulic-driven air compressors
- Hydraulic mandrel controls with five-section valve & 3/4" access connections
- Easy conversion to alternate pipe sizes within the machine range
- Cold weather operating kit (-40°) available

NOMINAL PIPE O.D.	MAXIMUM WALL THICKNESS BY GRADE						RECOMMENDED BEND			
	IN/MM	X52	X60	X65	X70	X80	X100	DEGREE PER ARC FOOT	RADIUS FEET	MAXIMUM 40 FOOT JOINT
30/762		1.792	1.543	1.419	1.314	1.144	0.908	0.60	96	16.71
28/711		2.08	1.789	1.645	1.522	1.324	1.050	0.65	88	18.23
26/660		-	2.101	1.93	1.785	1.551	1.228	0.70	82	19.56
24/610		-	-	2.297	2.124	1.844	1.458	0.75	76	21.11
22/559		-	-	-	-	2.228	1.759	0.80	72	22.28
20/508		-	-	-	-	-	2.165	0.90	64	25.07
18/457		-	-	-	-	-	-	1.10	52	30.85
16/406		-	-	-	-	-	-	1.51	38	42.22



SPECIFICATIONS FOR SUPER 16" - 30" BENDING SETS

		LENGTH		WIDTH		HEIGHT		CUBE		WEIGHT	
		in	mm	in	mm	in	mm	ft	m	lb	kg
Super 16 - 30	Stiffback	87	2210	30.25	768	14.375	365	140	4	5,260	2,391
	Pin Up	37.4	953	30.25	768	14.375	365				
	Die	70	1778	38	965	27	686				
	Clamps	19.5	495	15	381	10.25	260				