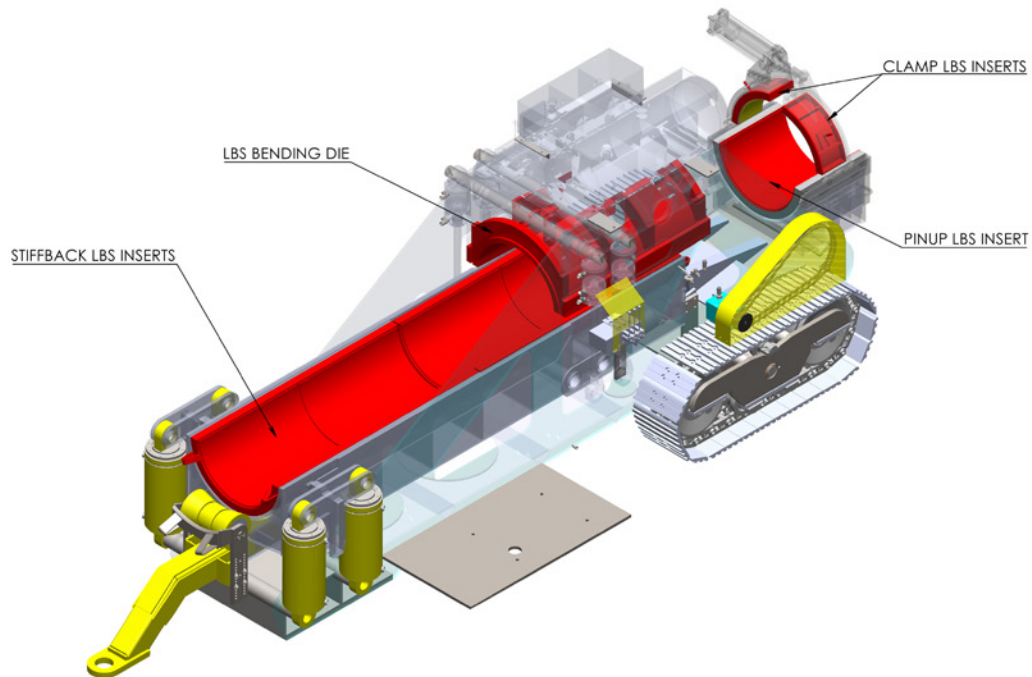




# 16" - 48" PIPE BENDING MACHINE BENDING SETS





**SPECIFICATIONS FOR SUPER 16" - 30" BENDING SETS**

		LENGTH		WIDTH		HEIGHT		CUBE		WEIGHT	
		in	mm	in	mm	in	mm	ft	m	lb	kg
<b>Super 16 - 30</b>	Stiffback	87	2210	30.25	768	14.375	365	140	4	5,260	2,391
	Pin Up	37.4	953	30.25	768	14.375	365				
	Die	70	1778	38	965	27	686				
	Clamps	19.5	495	15	381	10.25	260				

**SPECIFICATIONS FOR SUPER 22" - 36" BENDING SETS**

		LENGTH		WIDTH		HEIGHT		CUBE		WEIGHT	
		in	mm	in	mm	in	mm	ft	m	lb	kg
<b>Super 22 - 36</b>	Stiffback	88	2235	36.25	921	17.625	448	160	4.6	6,300	2,864
	Pin Up	37.5	953	36.25	921	17.625	448				
	Die	70	1778	41	1041	28	711				
	Clamps	23.5	597	15	381	10	254				

**SPECIFICATIONS FOR SUPER 32" - 42" BENDING SETS**

		LENGTH		WIDTH		HEIGHT		CUBE		WEIGHT	
		in	mm	in	mm	in	mm	ft	m	lb	kg
<b>Super 32 - 42</b>	Stiffback	97	2464	47.25	1200	21.75	553	180	5.1	8,360	3,800
	Pin Up	52	1321	47.25	1200	21.75	553				
	Die	76	1930	48	1219	28	711				
	Clamps	28	711	20	508	10	254				

**SPECIFICATIONS FOR SUPER 36" - 48" BENDING SETS**

		LENGTH		WIDTH		HEIGHT		CUBE		WEIGHT	
		in	mm	in	mm	in	mm	ft	m	lb	kg
<b>Super 36 - 48</b>	Stiffback	98	2489	52.25	1327	24.625	626	250	7.1	13,830	6,286
	Pin Up	58	1473	52.25	1327	24.625	626				
	Die	83	2108	52	1321	30.5	775				
	Clamps	33.625	854	16.75	426	14.125	359				